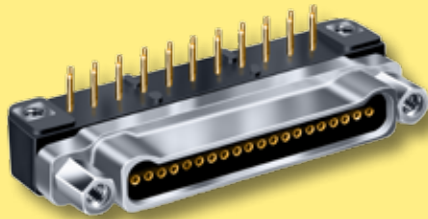


PRODUCT SELECTION GUIDE



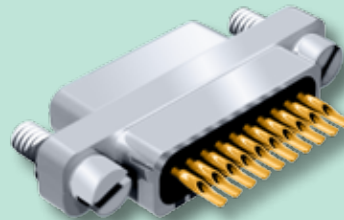
Connector height is a priority for miniaturized electronics modules. These GSM connectors are shorter and occupy less board real estate than comparable two row Micro-D connectors.

Solder Cup, Pre-wired and PCB Versions feature gold-plated TwistPin contacts, machined aluminum shells, and are fully potted with epoxy. The glass-filled thermoplastic LCP trays will withstand soldering heat without damage.

Eight Contact Arrangements – Choose from 4 to 35 contacts. Available in a variety of finishes, the socket connectors are fitted with Fluorosilicone interfacial seals.

GMSM Solder Cup Connectors

Nonremovable solder cup contacts for termination to #26 AWG or smaller wire, .050" contact spacing, eight layouts from 4 to 35 contacts.



*Solder Cup
Connectors
Page D-2*

GMSM Pre-Wired Pigtails

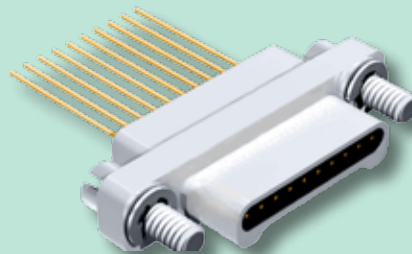
Crimp contacts are terminated to insulated Teflon® wire. Connectors are backpotted with epoxy, providing strain relief and environmental protection.



*Insulated Wire
Pigtails
Page D-3*

GMSM with Solid Uninsulated Wire

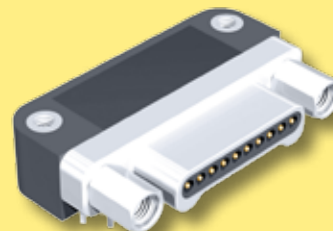
Gold-plated or solder-dipped solid copper wire, crimp termination, backpotted with epoxy. Can be terminated to flexible circuits.



*Solid Wire
Pigtails
Page D-3*

GMSM Right Angle Printed Circuit Board

.075 inch by .100 inch terminal spacing, for thru-hole rigid or flexible circuits. One piece threaded inserts provide a ground path from the jackpost to the board.



*Right Angle
PCB
Page D-5*



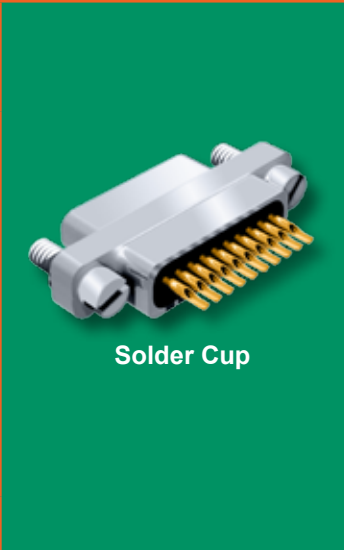
GMSM Low Profile Single Row Metal Shell Microminiature Solder Cup and Pre-Wired Connectors



GMSM Connectors offer mil spec design and performance in a smaller form factor. These GMSM single row connectors are reduced in height compared to two-row Micro-D connectors.

GMSM Connectors feature gold plated TwistPin contacts, machined aluminum shells, and are fully potted with epoxy. Choose from 4 to 35 contacts. Available in a variety of finishes, socket connectors are fitted with Fluorosilicone interfacial seals.

HOW TO ORDER GMSM SOLDER CUP CONNECTORS							
Series	Shell Finish	Number of Contacts	Contact Type	Termination Type	Hardware		
GMSM	1 – Cadmium	4	P – Pin S – Socket	S Solder Cup	B		
	2 – Nickel	6			P		
	4 – Black Anodize	10			M		
	5 – Gold	15			M1		
	6 – Chem Film	20			S		
		25			S1		
	Stainless Steel Shell	30			L		
	3 – Passivated	35			K		
						F	
						R	
Sample Part Number							
GMSM	1 –	15	P	S	B		



MICRO-D MOUNTING HARDWARE									
B	P	M	M1	S	S1	L	K	F	R
Thru-Hole Order Hardware Separately	Jackpost Removable Includes Nut and Washer	Jackscrew Hex Head Removable E-ring	Jackscrew Hex Head Removable E-ring Extended	Jackscrew Slot Head Removable E-ring	Jackscrew Slot Head Removable E-ring Extended	Jackscrew Hex Head Non-Removable	Jackscrew Slot Head Non-Removable Extended	Float Mount For Front Panel Mounting	Float Mount For Rear Panel Mounting

GMSM Low Profile Single Row Metal Shell Microminiature Solder Cup and Pre-Wired Connectors



Micro-D
Single Row

HOW TO ORDER GMSM CONNECTORS WITH INSULATED WIRE PIGTAILS



Insulated Wire Pigtails

Series	Shell Finish	Number of Contacts	Contact Type	Wire Gage (AWG)	Wire Type	Wire Color	Wire Length Inches	Hardware	
GMSM	1 – Cadmium	4	P – Pin	4 – #24	K – M22759/11 600 Vrms Teflon (TFE) [®]	1 – White	18	B	
	2 – Nickel	6		S – Socket		6 – #26			2 – Yellow
	4 – Black Anodize	10	8 – #28		J – M22759/33 600 Vrms Modified Cross-Linked Tefzel (ETFE) [®]	5 – Color-Coded Stripes Per MIL-STD-681	Wire Length In Inches: ".18" Specifies 18 Inches.	M	
	5 – Gold	15		E – NEMA HP3-EB 600 Vrms Type E M16878/4 (TFE)		7 – Ten Color Repeating			S1
	6 – Chem Film	20	L						
	25	K							
	Stainless Steel Shell		30	F					
	3 – Passivated	35	R						
	Sample Part Number								
	GMSM	2 –	10	P –	6	K	1 –	18	B

HOW TO ORDER GMSM CONNECTORS WITH UNINSULATED SOLID LEADS



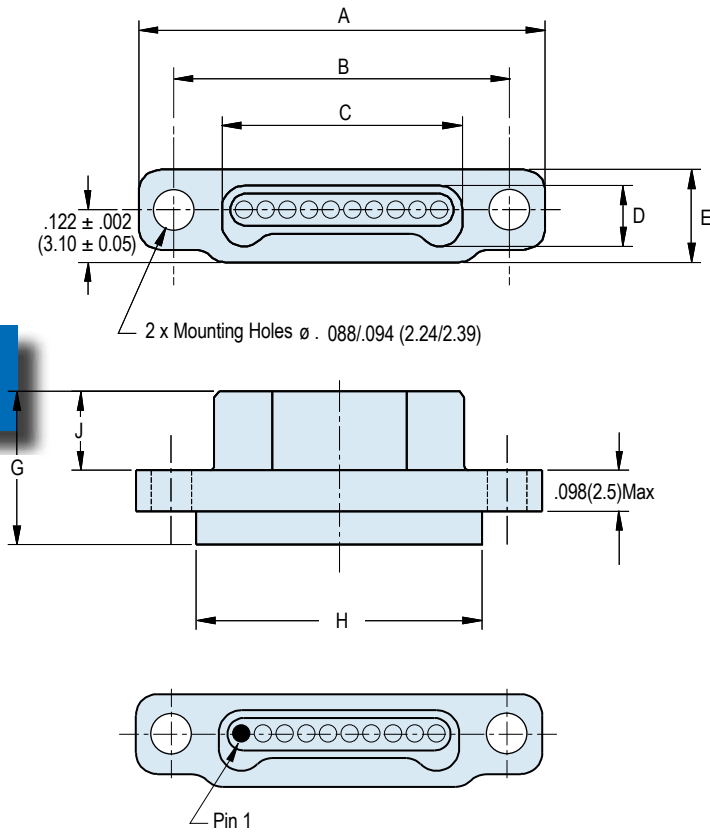
Gold Plated or Solder
Dipped Solid Leads

Series	Shell Finish	Number of Contacts	Contact Type	Wire Gage (AWG)	Wire Type	Wire Finish	Wire Length Inches	Hardware	
GMSM	1 – Cadmium	4	P – Pin	4 – #24	C – Copper Wire	3 – Solder Dipped (63/37 Tin/Lead)	.125	B	
	2 – Nickel	6		S – Socket			5 – #25		.250
	4 – Black Anodize	10	6 – #26		4 – Gold Plated	.375	M		
	5 – Gold	15		.500		M1			
	6 – Chem Film	20	.750	S					
	25	L							
	Stainless Steel Shell		30	1.000	S1				
	3 – Passivated	35	2.000	K					
	Sample Part Number								
	GMSM	2 –	10	P –	5	C	4 –	.250	P

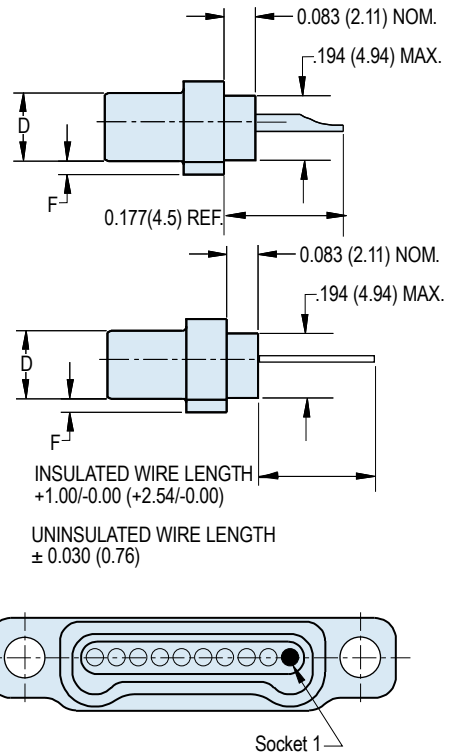


GMSM Low Profile Single Row Metal Shell Microminiature Solder Cup and Pre-Wired Connectors

D



Face View of Pin (Plug) Connector



Face View of Socket (Receptacle) Connector

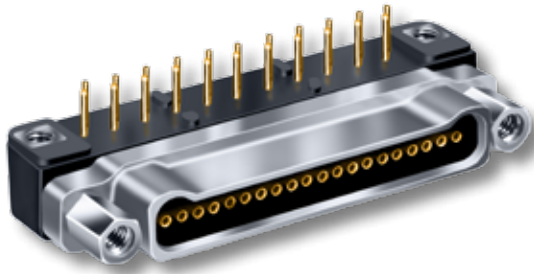
DIMENSIONS

Layout	A Max.		B		C Max.		D Max.		E Max.		F Max.		G Max.		H Max.		J Max.	
	In.	mm.	In. ±.003	mm. ±0.08	In.	mm.	In.	mm.	In.	mm.	In.	mm.	In.	mm.	In.	mm.	In.	mm.
4P	.648	16.45	.478	12.11	.250	6.37	.135	3.42	.218	5.54	.041	1.03	.358	9.10	.309	7.85	.184	4.67
4S	.648	16.45	.478	12.11	.309	7.85	.194	4.94	.218	5.54	.012	0.30	.370	9.40	.309	7.85	.197	5.00
6P	.748	19.00	.578	14.65	.350	8.91	.135	3.42	.218	5.54	.041	1.03	.358	9.10	.409	10.40	.184	4.67
6S	.748	19.00	.578	14.65	.409	10.40	.194	4.94	.218	5.54	.012	0.30	.370	9.40	.409	10.40	.197	5.00
10P	.948	24.07	.777	19.73	.550	13.99	.135	3.42	.218	5.54	.041	1.03	.358	9.10	.609	15.47	.184	4.67
10S	.948	24.07	.777	19.73	.609	15.47	.194	4.94	.218	5.54	.012	0.30	.370	9.40	.609	15.47	.197	5.00
15P	1.198	30.42	1.027	26.08	.800	20.34	.135	3.42	.218	5.54	.041	1.03	.358	9.10	.859	21.82	.184	4.67
15S	1.198	30.42	1.027	26.08	.859	21.82	.194	4.94	.218	5.54	.012	0.30	.370	9.40	.859	21.82	.197	5.00
20P	1.448	36.77	1.277	32.43	1.050	26.69	.135	3.42	.218	5.54	.041	1.03	.358	9.10	1.109	28.17	.184	4.67
20S	1.448	36.77	1.277	32.43	1.109	28.17	.194	4.94	.218	5.54	.012	0.30	.370	9.40	1.109	28.17	.197	5.00
25P	1.698	43.12	1.527	38.78	1.300	33.04	.135	3.42	.218	5.54	.041	1.03	.358	9.10	1.359	34.52	.184	4.67
25S	1.698	43.12	1.527	38.78	1.359	34.52	.194	4.94	.218	5.54	.012	0.30	.370	9.40	1.359	34.52	.197	5.00
30P	1.948	49.47	1.777	45.13	1.550	39.39	.135	3.42	.218	5.54	.041	1.03	.358	9.10	1.609	40.87	.184	4.67
30S	1.948	49.47	1.777	45.13	1.609	40.87	.194	4.94	.218	5.54	.012	0.30	.370	9.40	1.609	40.87	.197	5.00
35P	2.198	55.82	2.027	51.48	1.800	45.74	.135	3.42	.218	5.54	.041	1.03	.358	9.10	1.859	47.22	.184	4.67
35S	2.198	55.82	2.027	51.48	1.859	47.22	.194	4.94	.218	5.54	.012	0.30	.370	9.40	1.859	47.22	.197	5.00

GMSM Low Profile Single Row Metal Shell Microminiature Solder Cup and Pre-Wired Connectors



Micro-D
Single Row



Low Profile GMSM Single Row Micro Connectors offer mil spec design and performance in a smaller form factor for space savings. These GMSM connectors are shorter and occupy less board real estate than comparable two row Micro-D connectors.

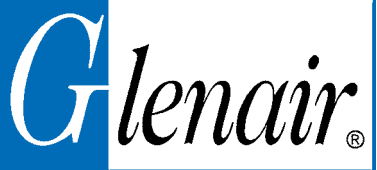
GMSM Connectors feature gold-plated TwistPin contacts, machined aluminum shells, and are fully potted with epoxy. Choose from 4 to 35 contacts. Available in a variety of finishes, socket connectors are fitted with Fluorosilicone interfacial seals.

HOW TO ORDER GMSM RIGHT ANGLE PCB CONNECTORS

Series	Shell Finish	Number of Contacts	Contact Type	Termination Style	Hardware Option	Tail Length
GMSM	1 – Cadmium	4	P – Pin	CBR Right Angle PCB	NU – Threaded Insert Only, No Jackposts SU – Jackpost and Threaded Insert Rear Panel Jackposts With Threaded Inserts TU – 0.094" (2.4) Panel VU – 0.062" (1.6) Panel WU – 0.047" (1.2) Panel XU – 0.031" (0.8) Panel YU – 0.023" (0.6) Panel	1 – .109 (2.8)
	2 – Nickel	6	S – Socket			2 – .150 (3.8)
	4 – Black Anodize	10				3 – .190 (4.8)
	5 – Gold	15				4 – .250 (6.3)
	6 – Chem Film	20				
	Stainless Steel Shell	25				
	3 – Passivated	30				
		35				
<i>Sample Part Number</i>						
GMSM	2 –	10	P	CBR	SU	1

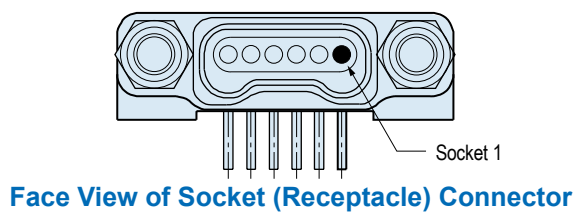
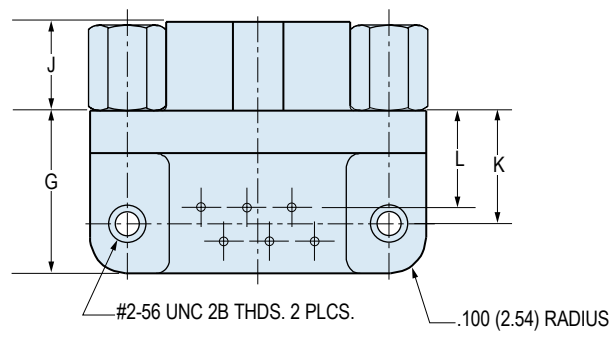
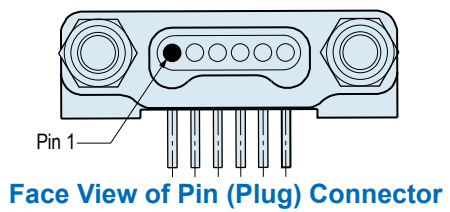
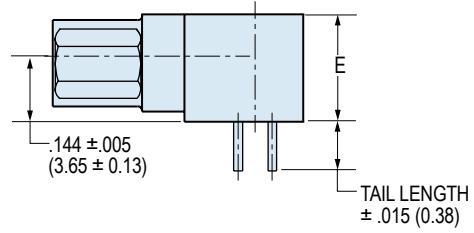
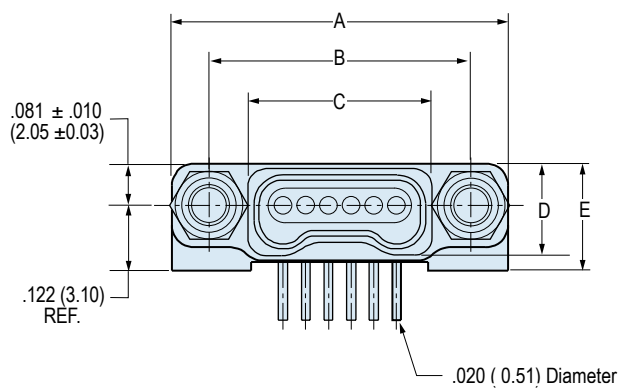
GMSM PRINTED CIRCUIT BOARD MOUNTING HARDWARE

NU	SU	TU, VU, WU, XU, YU
No Jackpost, Threaded Insert in PCB Mounting Hole	Jackpost With Threaded Insert	Jackpost for Rear Panel Mounting



GMSM Low Profile Single Row Metal Shell Microminiature Right Angle Printed Circuit Board Connectors

D



DIMENSIONS

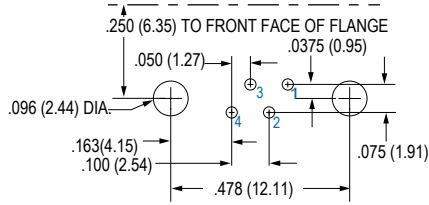
Layout	A Max.		B		C Max.		D Max.		E Max.		G Max.		J Max.		K		L	
	In.	mm.	In. ±.003	mm. ±0.08	In.	mm.	In.	mm.	In.	mm.	In.	mm.	In. ±.004	mm. ±0.10	In. ±.010	mm. ±0.25		
4P	.648	16.45	.478	12.11	.250	6.37	.135	3.42	.241	6.13	.364	9.25	.184	4.67	.250	6.35	.213	5.41
4S	.648	16.45	.478	12.11	.309	7.85	.194	4.94	.241	6.13	.364	9.25	.197	5.00	.250	6.35	.213	5.41
6P	.748	19.00	.578	14.65	.350	8.91	.135	3.42	.241	6.13	.364	9.25	.184	4.67	.250	6.35	.213	5.41
6S	.748	19.00	.578	14.65	.409	10.40	.194	4.94	.241	6.13	.364	9.25	.197	5.00	.250	6.35	.213	5.41
10P	.948	24.07	.777	19.73	.550	13.99	.135	3.42	.241	6.13	.364	9.25	.184	4.67	.250	6.35	.213	5.41
10S	.948	24.07	.777	19.73	.609	15.47	.194	4.94	.241	6.13	.364	9.25	.197	5.00	.250	6.35	.213	5.41
15P	1.198	30.42	1.027	26.08	.800	20.34	.135	3.42	.241	6.13	.364	9.25	.184	4.67	.250	6.35	.213	5.41
15S	1.198	30.42	1.027	26.08	.859	21.82	.194	4.94	.241	6.13	.364	9.25	.197	5.00	.250	6.35	.213	5.41
20P	1.448	36.77	1.277	32.43	1.050	26.69	.135	3.42	.241	6.13	.364	9.25	.184	4.67	.250	6.35	.213	5.41
20S	1.448	36.77	1.277	32.43	1.109	28.17	.194	4.94	.241	6.13	.364	9.25	.197	5.00	.250	6.35	.213	5.41
25P	1.698	43.12	1.527	38.78	1.300	33.04	.135	3.42	.241	6.13	.364	9.25	.184	4.67	.250	6.35	.213	5.41
25S	1.698	43.12	1.527	38.78	1.359	34.52	.194	4.94	.241	6.13	.364	9.25	.197	5.00	.250	6.35	.213	5.41
30P	1.948	49.47	1.777	45.13	1.550	39.39	.135	3.42	.241	6.13	.364	9.25	.184	4.67	.250	6.35	.213	5.41
30S	1.948	49.47	1.777	45.13	1.609	40.87	.194	4.94	.241	6.13	.364	9.25	.197	5.00	.250	6.35	.213	5.41
35P	2.198	55.82	2.027	51.48	1.800	45.74	.135	3.42	.241	6.13	.364	9.25	.184	4.67	.250	6.35	.213	5.41
35S	2.198	55.82	2.027	51.48	1.859	47.22	.194	4.94	.241	6.13	.364	9.25	.197	5.00	.250	6.35	.213	5.41

GMSM Low Profile Single Row Metal Shell Microminiature Right Angle Printed Circuit Board Connectors

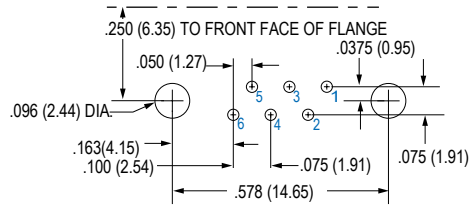


Micro-D
Single Row

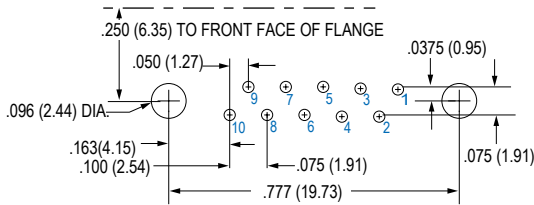
GMSM PCB LAYOUTS – PIN CONNECTORS



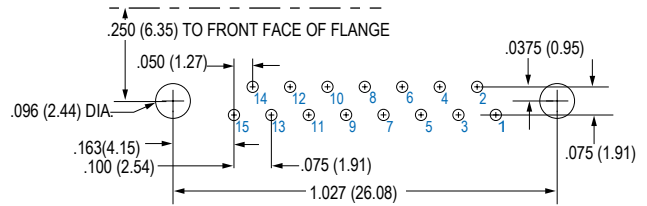
4 Pin



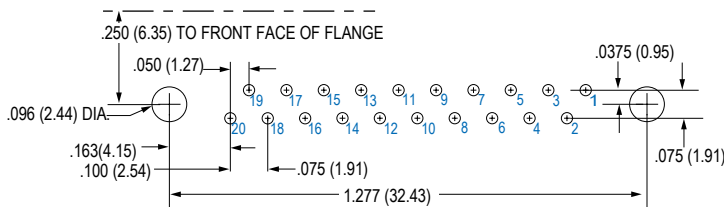
6 Pin



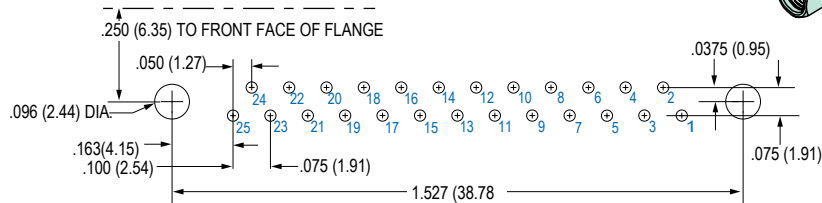
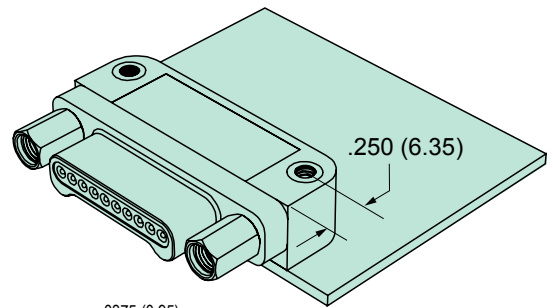
10 Pin



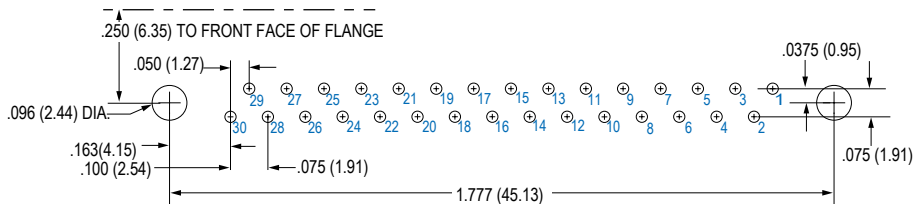
15 Pin



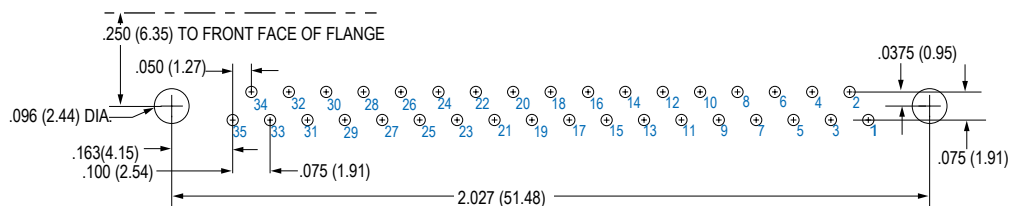
20 Pin



25 Pin

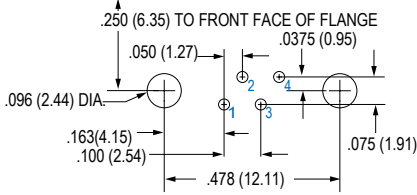


30 Pin

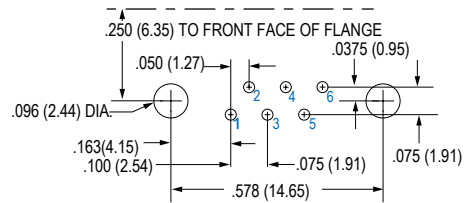


35 Pin

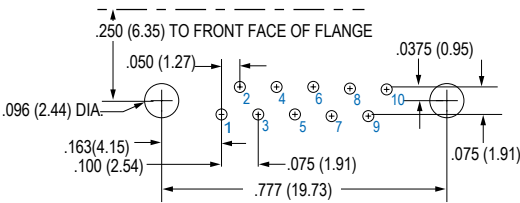
GMSM PCB LAYOUTS – SOCKET CONNECTORS



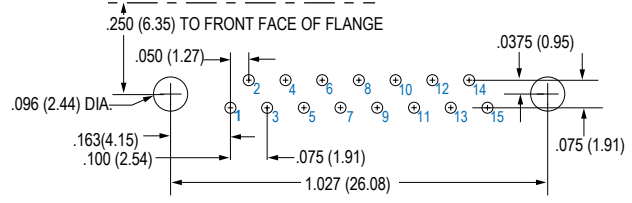
4 Pin



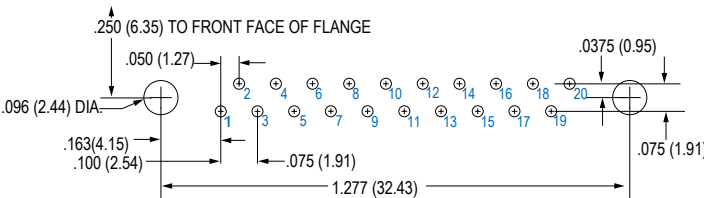
6 Pin



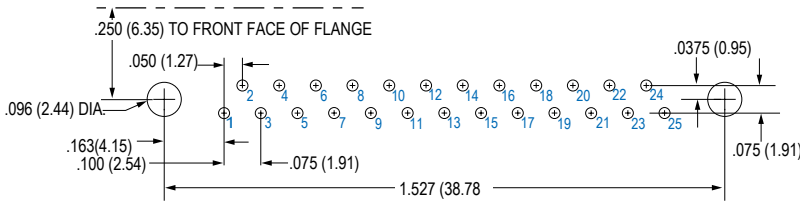
10 Pin



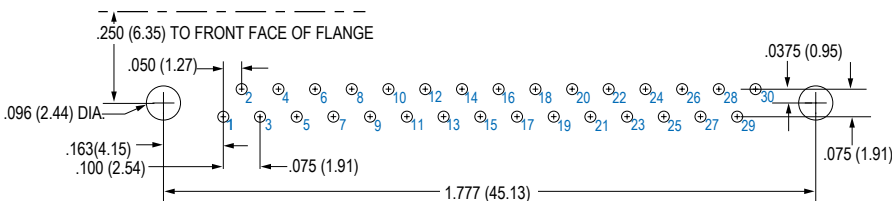
15 Pin



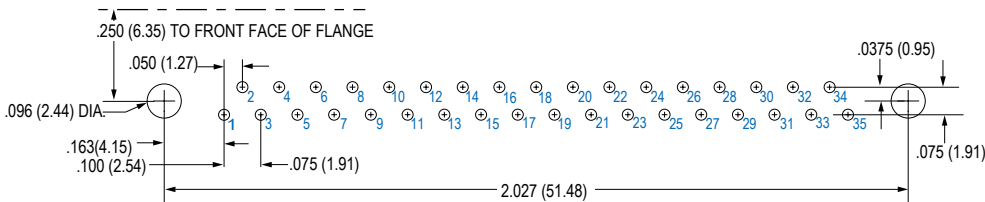
20 Pin



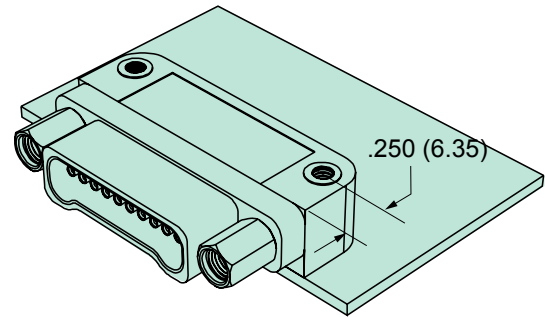
25 Pin



30 Pin



35 Pin



D