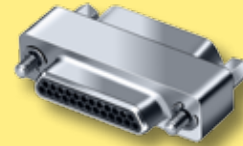


PRODUCT SELECTION GUIDE

Micro-D Uni-Saver

Always in stock, these feed-thru pin-socket adapters feature an innovative design using a single machined aluminum housing. Fully EMI protected, Uni-Savers protect expensive equipment from damage during testing and burn-in. Available in all sizes.



*Uni-Saver
Page N-2*

Micro-D Plastic Dust Caps

Always in stock, these anti-static black LDPE dust caps protect Micro-D connectors from debris and damage. All Glenair Micro-D connectors are furnished with these dust caps; however, these caps may be purchased separately for replacements.



*Dust Caps
Page N-4*

Micro-D Metal Protective Covers

These aluminum covers provide complete mechanical and environmental protection. A silicone gasket assures water-tight sealing. A variety of attachment styles are available.



*Metal Covers
Page N-5*

Bean Rubber Covers

For protection of Micro-D's used in tactical equipment, these synthetic rubber covers are friction-fit and attach with nylon cord and ring terminals.



*Rubber Covers
Page N-7*

Shorting Adapters

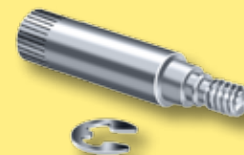
Combining a switching backshell and a Micro-D connector, these assemblies have all contacts shorted to each other. These shorting plugs provide ESD protection to sensitive instrumentation.



*Shorting Adapters
Page N-3*

Jackscrew Kits

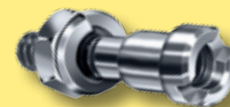
These stainless steel kits are compatible with standard Micro-D connectors and meet the requirements of MIL-DTL-83513. Jackscrews are available with slot heads or hex heads. Choose low profile or extended length versions.



*Jackscrew Kits
Page N-8*

Jackpost Kits

Jackposts are available in various lengths to fit front and rear panel mounted connectors. These stainless steel jackposts fit all standard Micro-D connectors.



*Jackpost Kits
Page N-10*

Interfacial Seals

Replace damaged Micro-D socket connector interfacial seals with new ones. Sometimes these seals can tear or be contaminated. Held in place by an interference fit with the contacts, damaged seals can be removed with tweezers.



*Interfacial Seals
Page N-4*



Sav-Con® Connector Saver MWDM2L



Compact Size reduces stress on mating connectors.

In Stock, No Waiting – All standard Uni-Saver sizes are in stock (9, 15, 21, 25, 31, 37, 51 and 100 pin).

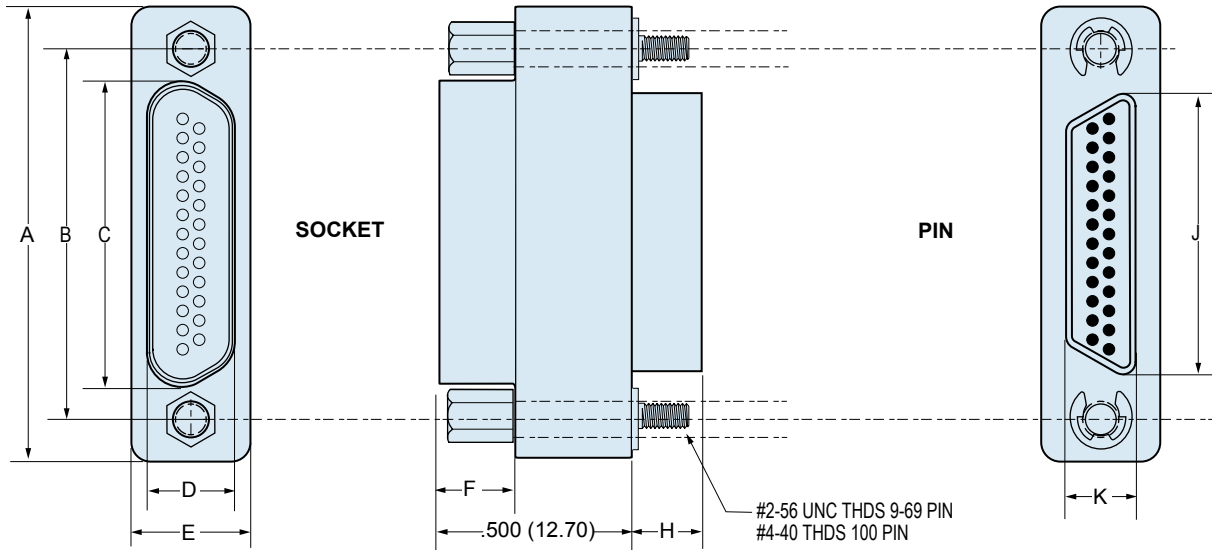
EMI Protected one piece shell.

MATERIALS & FINISHES

Shell	Aluminum Alloy 6061 -T6 Electroless Nickel Plated
Contacts	Gold-Plated Copper Alloy
Encapsulant	Epoxy
Insulators	Glass-Filled LCP
Hardware	300 Series Stainless Steel, Passivated

Protect Expensive Equipment With Glenair's Micro-D Uni-Saver

These connector savers feature a one-piece aluminum housing, TwistPin contacts and locking hardware. Typical applications include test equipment and space-grade instruments. The Uni-Saver prevents wear and tear on sensitive gear. Standard Uni-Savers are electroless nickel plated. Other plating finishes are available on request.



Size	Part Number	A Max.		B		C Max.		D Max.		E Max.		F		H Max.		J Max.		K Max	
		In.	mm.	In. ±.003	mm. ±0.08	In.	mm.	In.	mm.	In.	mm.	In.	mm.	In.	mm.	In.	mm.	In.	mm.
9	MWDM2L-9USP1	.785	19.94	.565	14.35	.400	10.16	.250	6.35	.308	7.82	.195	4.95	.183	4.65	.333	8.46	.184	4.67
15	MWDM2L-15USP1	.935	23.75	.715	18.16	.551	14.00	.250	6.35	.308	7.82	.195	4.95	.183	4.65	.483	12.27	.184	4.67
21	MWDM2L-21USP1	1.085	27.56	.865	21.97	.701	17.81	.250	6.35	.308	7.82	.195	4.95	.183	4.65	.633	16.08	.184	4.67
25	MWDM2L-25USP1	1.185	30.01	.965	24.51	.801	20.35	.250	6.35	.308	7.82	.195	4.95	.183	4.65	.733	18.62	.184	4.67
31	MWDM2L-31USP1	1.335	33.91	1.115	28.32	.951	24.16	.250	6.35	.308	7.82	.195	4.95	.183	4.65	.883	22.43	.184	4.67
37	MWDM2L-37USP1	1.485	37.72	1.265	32.13	1.101	27.96	.250	6.35	.308	7.82	.195	4.95	.183	4.65	1.033	26.24	.184	4.67
51	MWDM2L-51USP1	1.435	36.45	1.215	30.86	1.051	26.70	.296	7.52	.351	8.92	.195	4.95	.183	4.65	.983	24.97	.228	5.79
51-2	MWDM2L-51-2USP1	1.835	46.61	1.615	41.02	1.450	36.83	.250	6.35	.308	7.82	.195	4.95	.183	4.65	1.384	35.15	.184	4.67
67	MWDM2L-67USP1	2.235	56.77	2.015	51.18	1.850	46.99	.250	6.35	.308	7.82	.195	4.95	.183	4.65	1.784	45.31	.184	4.67
69	MWDM2L-69USP1	1.735	44.07	1.515	38.48	1.350	34.29	.296	7.52	.351	8.92	.195	4.95	.183	4.65	1.284	32.61	.228	5.79
100	MWDM2L-100USP1	2.170	55.12	1.800	45.72	1.451	36.86	.333	8.46	.394	10.01	.195	4.95	.183	4.65	1.383	35.13	.270	6.86

Shorting Plug Assembly 177-007



Shorting Plug Assemblies are Micro-D connectors with all contacts bussed/shorted together. Enclosed in a backshell and fitted with jackscrews, these shorting plugs provide ESD protection to sensitive instrumentation.

MATERIALS & FINISHES

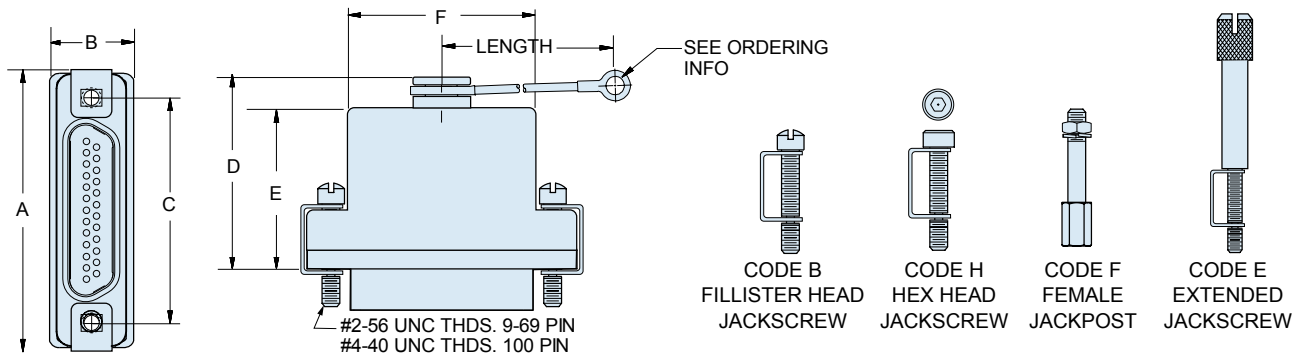
Shells	Aluminum Alloy 6061 -T6
Contacts	Gold-Plated Copper Alloy
Encapsulant	Epoxy
Insulators	Glass-Filled LCP
Interfacial Seal	Fluorosilicone
Hardware	300 Series Stainless Steel, Passivated

HOW TO ORDER 177-007 SHORTING PLUGS

Series	Connector Size	Contact Type	Shell Finish	Hardware Option	Lanyard Option	Lanyard Length	Ring Terminal Ordering Code
177-007	9 51	P – Pin S – Socket	1 – Cadmium, Yellow Chromate 2 – Electroless Nickel 4 – Black Anodize 5 – Gold 6 – Chem Film	B – Fillister Head Jackscrew H – Hex Head Jackscrew E – Extended Jackscrew F – Jackpost, Female N – No Hardware	N – No Lanyard G – Flexible Nylon Rope F – Wire Rope, Nylon Jacket H – Wire Rope, Teflon Jacket	Length in One Inch Increments Example: "6" equals six inches.	06 – .125 (3.2)
	15 51-2						01 – .140 (3.6)
	21 67						05 – .167 (4.2)
	25 69						04 – .197 (5.0)
	31 100						
	37						I.D. of Ring Terminal

Sample Part Number

177-007	- 25	S	2	H	F	4	- 06
---------	------	---	---	---	---	---	------



Size	A Max.		B Max.		C		D Max.		E Max.		F Max.	
	In.	mm.	In.	mm.	In.	mm.	In.	mm.	In.	mm.	In.	mm.
9	.850	21.59	.370	9.40	.565	14.35	.600	15.24	.450	11.43	.410	10.41
15	1.000	25.40	.370	9.40	.715	18.16	.720	18.29	.570	14.48	.580	14.73
21	1.150	29.21	.370	9.40	.865	21.97	.840	21.34	.690	17.53	.740	18.80
25	1.250	31.75	.370	9.40	.965	24.51	.900	22.86	.750	19.05	.850	21.59
31	1.400	35.56	.370	9.40	1.115	28.32	.960	24.38	.810	20.57	.980	24.89
37	1.550	39.37	.370	9.40	1.265	32.13	1.000	25.40	.850	21.59	1.130	28.70
51	1.500	38.10	.410	10.41	1.215	30.86	1.030	26.16	.880	22.35	1.080	27.43
51-2	1.910	48.51	.370	9.40	1.615	41.02	1.030	26.16	.880	22.35	1.510	38.35
67	2.310	58.67	.370	9.40	2.015	51.18	1.030	26.16	.880	22.35	1.880	47.75
69	1.810	45.97	.410	10.41	1.515	38.48	1.030	26.16	.880	22.35	1.380	35.02
100	2.235	56.77	.460	11.68	1.800	45.72	1.090	27.69	.940	23.88	1.470	37.34

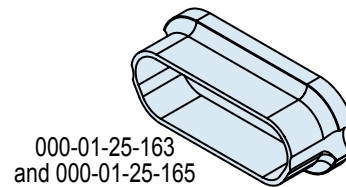
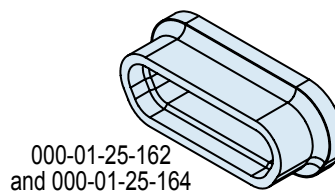
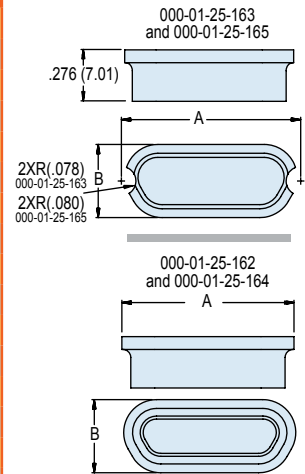


Anti-Static Thermoplastic Dust Caps and Fluorosilicone Interfacial Seals

ANTI-STATIC DUST CAPS

Anti-Static Dust Caps offer protection to Micro-D connectors for storage and handling. Molded in black thermoplastic LDPE, these caps meet the anti-static decay rate specified in MIL-PRF-81705D. **UL 94-V0** rated, self-extinguishing

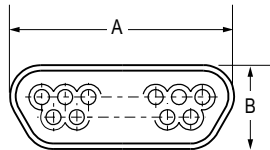
MWDM Metal Shell Connectors						MLDM and MWDL Metal Shell Connectors					
Part Number	Layout	A Ref.		B Ref.		Part Number	Layout	A Ref.		B Ref.	
		In.	mm.	In.	mm.			In.	mm.	In.	mm.
000-01-09-162	9P	.524	13.31	.250	6.35	000-01-09-164	9P	.491	12.47	.349	8.86
000-01-15-162	15P	.647	16.43	.320	8.13	000-01-15-164	15P	.639	16.23	.349	8.86
000-01-21-162	21P	.824	20.93	.250	6.35	000-01-21-164	21P	.789	20.04	.349	8.86
000-01-25-162	25P	.924	23.47	.320	8.13	000-01-25-164	25P	.889	22.58	.349	8.86
000-01-31-162	31P	1.074	27.28	.250	6.35	000-01-31-164	31P	1.039	26.39	.349	8.86
000-01-37-162	37P	1.224	31.09	.320	8.13	000-01-37-164	37P	1.189	30.20	.349	8.86
000-01-51-162	51P	1.174	29.82	.250	6.35	000-01-51-164	51P	1.139	28.93	.390	9.90
000-01-51-172	51-2P	1.574	39.98	.320	8.13	000-01-09-165	9S	.565	14.35	.392	9.96
000-01-67-162	67P	1.974	50.14	.250	6.35	000-01-15-165	15S	.715	18.16	.392	9.96
000-01-69-162	69P	1.474	37.44	.320	8.13	000-01-21-165	21S	.865	21.97	.392	9.96
000-01-00-162	100P	1.574	39.98	.250	6.35	000-01-25-165	25S	.965	24.51	.392	9.96
000-01-09-163	9S	.563	14.30	.320	8.13	000-01-31-165	31S	1.115	28.32	.392	9.96
000-01-15-163	15S	.713	18.11	.300	7.62	000-01-37-165	37S	1.265	32.13	.392	9.96
000-01-21-163	21S	.863	21.92	.360	9.14	000-01-51-165	51S	1.215	30.86	.435	11.05
000-01-25-163	25S	.963	24.45	.250	6.35						
000-01-31-163	31S	1.113	28.27	.320	8.13						
000-01-37-163	37S	1.263	32.08	.250	6.35						
000-01-51-163	51S	1.213	30.81	.320	8.13						
000-01-51-173	51-2S	1.612	40.94	.300	7.62						
000-01-67-163	67S	2.013	51.13	.360	9.14						
000-01-69-163	69S	1.512	38.40	.340	8.64						
000-01-00-163	100S	1.615	41.02	.410	10.41						



INTERFACIAL SEALS FOR METAL SHELL MICRO-D SOCKET CONNECTORS

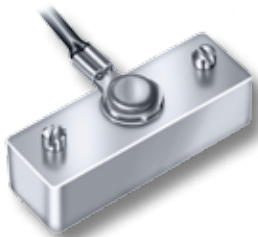


Replacement Interfacial Seals fit Micro-D metal shell socket connectors. These blue fluorosilicone seals allow replacement of damaged seals.



Layout	Part Number	A Ref.		B Ref.	
		In.	mm.	In.	mm.
9S	000-01-09-132	.330	8.4	.180	4.6
15S	000-01-15-132	.480	12.2	.180	4.6
21S	000-01-21-132	.630	16.0	.180	4.6
25S	000-01-25-132	.730	18.5	.180	4.6
31S	000-01-31-132	.880	22.4	.180	4.6
37S	000-01-37-132	1.030	26.2	.180	4.6
51S	000-01-51-132	.976	24.8	.223	5.7
100S	000-01-100-132	1.386	35.2	.270	6.9

Metal Protective Covers with Silicone Rubber Gaskets 500-017 and 500-037



Choose **Metal Protective Covers** for full environmental protection.

Silicone Rubber Gasket provides a watertight seal.

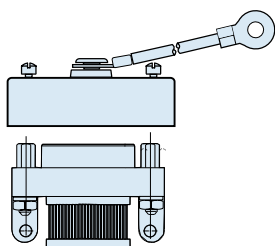
Use with **M83513 Type Metal Shell Micro-D Connectors**

MATERIALS & FINISHES

Shell	Aluminum Alloy 6061 -T6
Gasket	Silicone Rubber
Hardware	300 Series Stainless Steel, Passivated

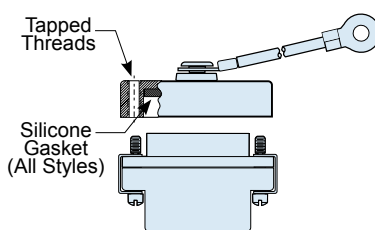
SELECT A PROTECTIVE COVER STYLE

Style 1



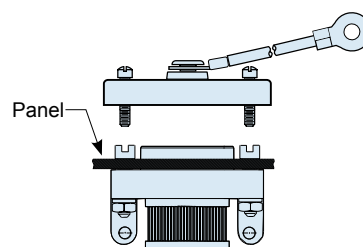
Use With Micro-D Connectors With Jackposts
Not for rear panel mounted connectors.

Style 2



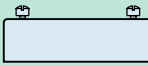

Use With Micro-D Connectors With Jackscrews

Style 3



Use With Rear-Panel Mounted Micro-D Connectors

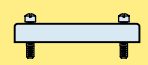
HOW TO ORDER STYLE 1 AND STYLE 2 PROTECTIVE COVERS

Series	Shell Finish	Connector Size	Hardware Option	Lanyard Option	Lanyard Length	Ring Terminal Ordering Code	
500-017	C – Black Anodize	09	<p>STYLE 1</p>  <p>Fits Micro-D's With Jackposts Cover has Jackscrews</p> <p>MB – Fillister Head Jackscrew MH – Hex Head Jackscrew</p> <p>STYLE 2</p>  <p>Fits Micro-D's With Jackscrews Cover has Tapped Female Threads</p> <p>F – Female Threads</p> <p>(STYLE 3: see next page)</p>	<p>N – No Lanyard</p> <p>G – Flexible Nylon Rope</p> <p>F – Wire Rope, Nylon Jacket</p> <p>H – Wire Rope, Hi-Temp Teflon Jacket</p>	<p>Length in One Inch Increments</p> <p>Example: "6" equals six inches.</p>	06 – .125 (3.2)	
		15				01 – .140 (3.6)	
	E – Chem Film	21				05 – .167 (4.2)	
		25				04 – .197 (5.0)	
	J – Cadmium, Yellow Chromate	31				I.D. of Ring Terminal	
		37					
	M – Electroless Nickel	51					
		51-2					
	NF – Cadmium, Olive Drab	67					
		69					
Z2 – Gold	100						
Sample Part Number							
500-017	M	25	MB	F	4		- 06



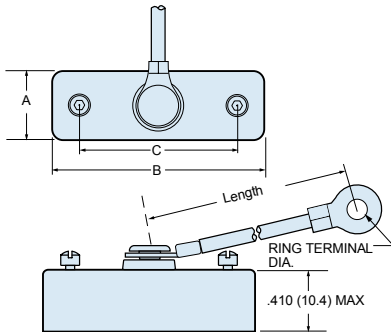
Metal Protective Covers with Silicone Rubber Gasket 500-017 and 500-037

HOW TO ORDER STYLE 3 PROTECTIVE COVERS FOR REAR MOUNT CONNECTORS

Series	Shell Finish	Connector Size	Panel Thickness Option	Hardware Option	Lanyard Option	Ring Terminal Ordering Code		
500-037	C – Black Anodize	09	R1 – .031 (0.79) Panel	STYLE 3  Fits Micro-D's With Jackposts B – Fillister Head Jackscrew H – Hex Head Jackscrew	N – No Lanyard	06 – .125 (3.2)		
		15	R2 – .047 (1.19) Panel			G – Flexible Nylon Rope	01 – .140 (3.6)	
		21	R3 – .062 (1.57) Panel				F – Wire Rope, Nylon Jacket	05 – .167 (4.2)
		25	R4 – .093 (2.36) Panel					I.D. of Ring Terminal
	31							
	37							
	51							
	51-2							
	M – Electroless Nickel							
	NF – Cadmium, Olive Drab							
	Z2 – Gold							
Sample Part Number								
500-037	J	31	R4	B	G	– 06		

PROTECTIVE COVER DIMENSIONS

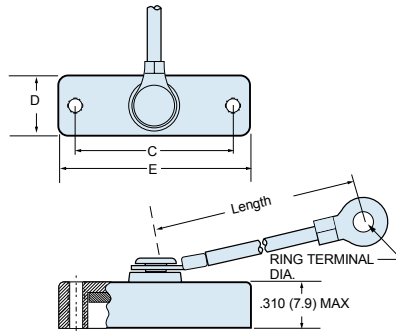
Style 1



#2-56 UNC THREADS SIZES 9-69
#4-40 UNC THREADS SIZE 100

For Micro-D Connectors With Jackposts

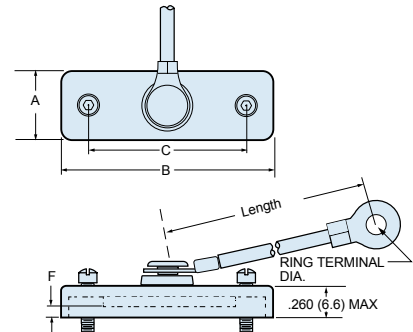
Style 2



#2-56 UNC THREADS SIZES 9-69
#4-40 UNC THREADS SIZE 100

For Micro-D Connectors With Jackscrews

Style 3

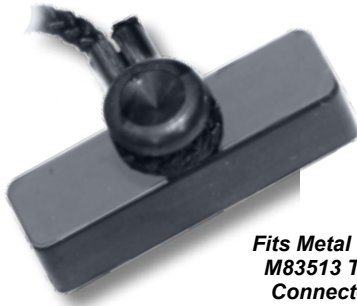


#2-56 UNC THREADS SIZES 9-69
#4-40 UNC THREADS SIZE 100

For Rear-Panel Mounted Micro-D

Size	A Max.		B Max.		C		D Max.		E Max.		F		
	In.	mm.	In.	mm.	In.	mm.	In.	mm.	In.	mm.	Panel Thickness	In.	mm.
9	.453	11.5	.930	23.6	.565	14.35	.360	9.1	.775	19.7	R1	.126	3.2
15	.453	11.5	1.080	27.4	.715	18.16	.360	9.1	.925	23.5	R2	.110	2.8
21	.453	11.5	1.230	31.2	.865	21.97	.360	9.1	1.075	27.3	R3	.095	2.4
25	.453	11.5	1.330	33.8	.965	24.51	.360	9.1	1.175	29.8	R4	.064	1.6
31	.453	11.5	1.480	37.6	1.115	28.32	.360	9.1	1.325	33.7			
37	.453	11.5	1.630	41.4	1.265	32.13	.360	9.1	1.475	37.5			
51	.496	12.6	1.580	40.1	1.215	30.86	.400	10.2	1.425	36.2			
51-2	.453	11.5	1.980	50.3	1.615	41.02	.360	9.1	1.825	46.4			
67	.453	11.5	2.380	60.5	2.015	51.18	.360	9.1	2.225	56.5			
69	.496	12.6	1.880	47.8	1.515	38.48	.400	10.2	1.725	43.8			
100	.539	13.7	2.315	58.8	1.800	45.72	.450	11.4	2.160	54.9			

“Marshal Bean” Protective Rubber Covers with Tether Rope 780-555



*Fits Metal Shell
M83513 Type
Connectors*

Rubber Covers for Tactical Equipment and Field Instruments

– These friction-fit covers provide dust and splash protection.



Two Tether Styles – Choose ring terminals for attachment to a panel, or choose slip knots for cable attachment.

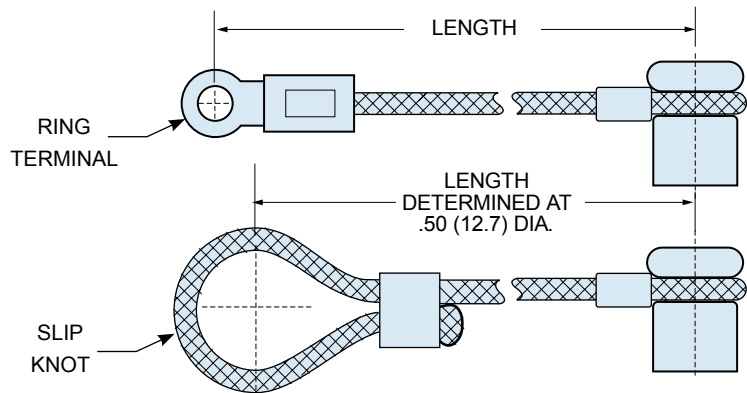
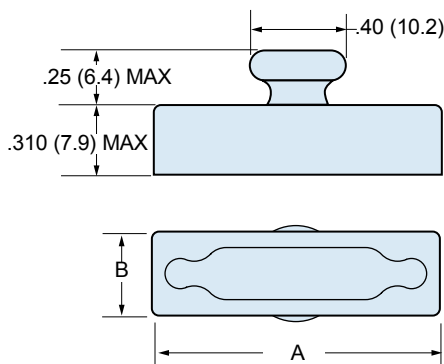
-55° to +125° Temperature Range

MATERIALS & FINISHES

Cover	SBR Rubber Per ASTM D2000 Type C
Cord	Nylon Per MIL-C-43307
Ring Terminal	Stainless Steel
Slip Collar	Kynar
Crimp Ring	Copper, Black Oxide Finish

HOW TO ORDER 780-555 RUBBER PROTECTIVE COVERS

Series	Connector Layout	Nylon Cord Option	Nylon Cord Length	Attachment Option	Rubber Type		
780-555	9P 9S	Omit – (leave blank) Cover only, no cord	Length in One Inch Increments	Ring Terminal 06 – .125 (3.2) I.D. 01 – .140 (3.6) I.D. 05 – .167 (4.2) I.D. 04 – .197 (5.0) I.D.	 	Omit Standard Rubber	
	15P 15S						
	21P 21S	G – Nylon Cord	Example: “6” equals six inches. ± .250 Inches ± 6.35 mm			SK – Slip Knot	C Conductive Rubber
	25P 25S						
	31P 31S						
	37P 37S						
	51P 51S						
	51-2P 51-2S						
	67P 67S						
	69P 69S						
100P 100S							
Sample Part Number							
780-555	37P	G	4	– SK			



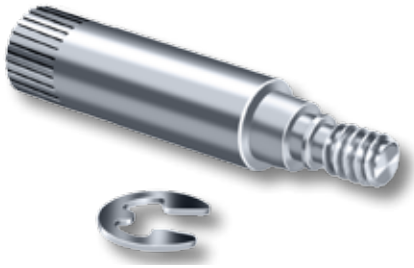
Layout	A Max.		B Max.	
	In.	mm.	In.	mm.
9P, 9S	.830	21.08	.370	9.40
15P, 15S	.980	24.89	.370	9.40
21P, 21S	1.130	28.70	.370	9.40
25P, 25S	1.230	31.24	.370	9.40
31P, 31S	1.380	35.05	.370	9.40
37P, 37S	1.530	38.86	.370	9.40

Layout	A Max.		B Max.	
	In.	mm.	In.	mm.
51P, 51S	1.480	37.59	.410	10.41
51-2P, 51-2S	1.880	47.75	.370	9.40
67P, 67S	2.770	70.36	.370	9.40
69P, 69S	1.780	45.21	.410	10.41
100P, 100S	2.215	56.26	.460	11.68

Standard material contains trace amounts of sulfur (a vulcanizing agent) which is known to contribute to degradation/corrosion of silver plated components such as braid, etc. Specify MOD Code suffix -675 for sulfur-free material.



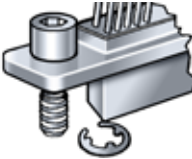
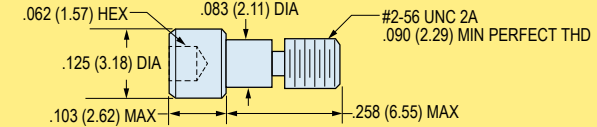
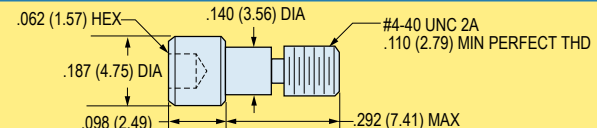
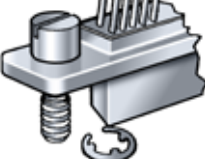
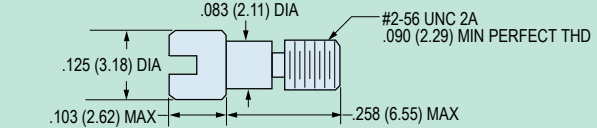
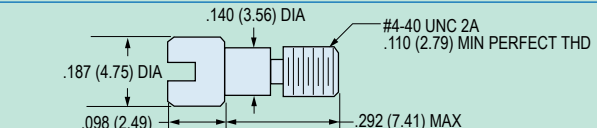
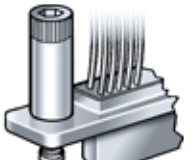
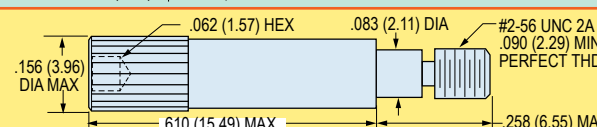
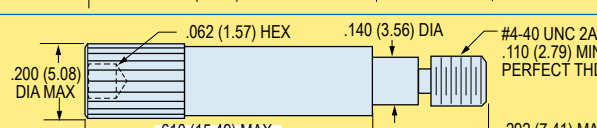
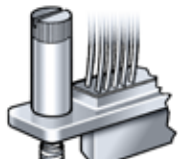
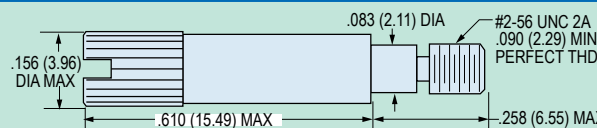
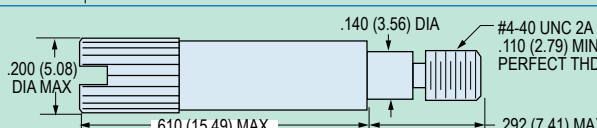
Stainless Steel Jackscrew Kits with E-Rings 080-00-00-5XX



Mil Spec Jackscrew Kits feature 300 series stainless steel and easily attach to Micro-D connectors with an e-ring.

Order One Kit Per Connector. Each kit contains two jackscrews and e-rings. Packaged one kit (two screws) per bag.

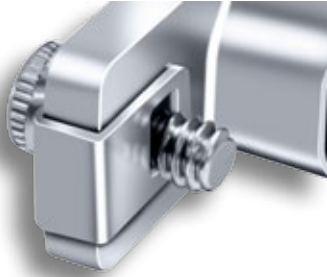
MIL SPEC JACKSCREW KITS

Configuration	Connector Size, Thread Size	Part Number		Dimensions
		Mil Spec Part Number	Glenair Part Number	
 Hex Head Low Profile	Sizes 9 to 69 Contacts. Mil Spec Size A to G #2-56 UNC-2A	M83513/05-02	080-00-00-502	 <p>.062 (1.57) HEX .125 (3.18) DIA .103 (2.62) MAX .083 (2.11) DIA #2-56 UNC 2A .090 (2.29) MIN PERFECT THD .258 (6.55) MAX</p>
	Size 100 Only Mil Spec Size H #4-40 UNC-2A	M83513/05-12	080-00-00-512	 <p>.062 (1.57) HEX .187 (4.75) DIA .098 (2.49) .140 (3.56) DIA #4-40 UNC 2A .110 (2.79) MIN PERFECT THD .292 (7.41) MAX</p>
 Slot Head Low Profile	Sizes 9 to 69 Contacts. Mil Spec Size A to G #2-56 UNC-2A	M83513/05-05	080-00-00-505	 <p>.083 (2.11) DIA .125 (3.18) DIA .103 (2.62) MAX #2-56 UNC 2A .090 (2.29) MIN PERFECT THD .258 (6.55) MAX</p>
	Size 100 Only Mil Spec Size H #4-40 UNC-2A	M83513/05-15	080-00-00-515	 <p>.140 (3.56) DIA .187 (4.75) DIA .098 (2.49) #4-40 UNC 2A .110 (2.79) MIN PERFECT THD .292 (7.41) MAX</p>
 Hex Head Extended	Sizes 9 to 69 Contacts. Mil Spec Size A to G #2-56 UNC-2A	M83513/05-03	080-00-00-503	 <p>.062 (1.57) HEX .156 (3.96) DIA MAX .610 (15.49) MAX .083 (2.11) DIA #2-56 UNC 2A .090 (2.29) MIN PERFECT THD .258 (6.55) MAX</p>
	Size 100 Only Mil Spec Size H #4-40 UNC-2A	M83513/05-13	080-00-00-513	 <p>.062 (1.57) HEX .200 (5.08) DIA MAX .610 (15.49) MAX .140 (3.56) DIA #4-40 UNC 2A .110 (2.79) MIN PERFECT THD .292 (7.41) MAX</p>
 Slot Head Extended	Sizes 9 to 69 Contacts. Mil Spec Size A to G #2-56 UNC-2A	M83513/05-06	080-00-00-506	 <p>.156 (3.96) DIA MAX .610 (15.49) MAX .083 (2.11) DIA #2-56 UNC 2A .090 (2.29) MIN PERFECT THD .258 (6.55) MAX</p>
	Size 100 Only Mil Spec Size H #4-40 UNC-2A	M83513/05-16	080-00-00-516	 <p>.200 (5.08) DIA MAX .610 (15.49) MAX .140 (3.56) DIA #4-40 UNC 2A .110 (2.79) MIN PERFECT THD .292 (7.41) MAX</p>

Stainless Steel Jackscrew Kits with C Clips 179-013-XX



C CLIP JACKSCREW KITS



C Clip Jackscrew Kits offer an alternative to e-ring jack screw kits. The c clip fits over the flange and, unlike e-rings, cannot be dislodged in handling or use.

Corrosion-Resistant Steel – The clip is made from 17-7PH spring temper stainless steel. The jack screw is made from 125 KPSI tensile strength stainless steel, passivated.

Order Two Kits Per Connector. Each kit consists of one jack screw and one c clip.

Application Note: The magnetic permeability of the c clip exceeds the 2.0 μ maximum of MIL-DTL-83513.

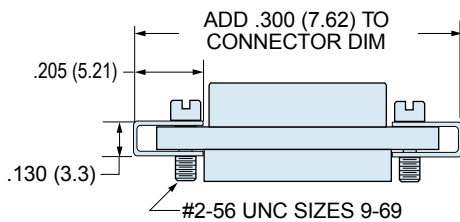


Figure 1
C Clip for Size 9 to Size 69 Pin Micro-D

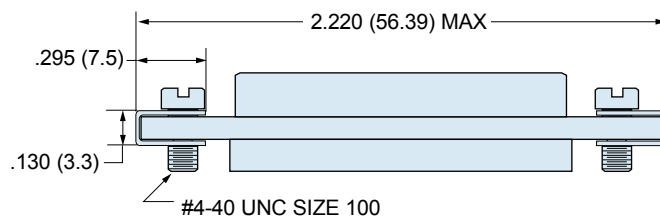


Figure 2
C Clip for Size 100 Micro-D

Part Number	Jackscrew Type	Thread Size	Configuration	Recommended Max. Torque	Max. Weight In Grams (2 Kits)
179-013-1S	Slot Head	#2-56 UNC	Figure 1	2.5 inch-pounds	1.0
179-013-1H	Hex head	#2-56 UNC	Figure 1	2.5 inch-pounds	1.0
179-013-2S	Slot Head	#4-40 UNC	Figure 2	4.0 inch-pounds	1.5
179-013-2H	Hex head	#4-40 UNC	Figure 2	4.0 inch-pounds	1.5

REPLACEMENT HARDWARE KITS FOR C CLIP MICRO-D BACKSHELLS



Replacement Hardware Kits for Standard Series 50 Micro-D Backshells.

Order Two Kits Per Connector. Each Jackscrew kit consists of one jack screw and one c clip.

Corrosion-Resistant Steel – The clip is made from 17-7PH spring temper stainless steel. The jack screw is made from 300 series stainless steel, passivated.

Fillister Head Jackscrew		Hex Head Jackscrew		Extended Jackscrew		Jackpost	
Part Number	Thread Size	Part Number	Thread Size	Part Number (dash # = size)	Overall Length	Part Number	Thread Size
687-152-01B	#2-56 (9-69 pin)	687-152-01	#2-56 (9-69 pin)	687-439-09	1.27 (32.3)	687-194	#2-56 (9-69 pin)
687-152-02B	#4-40 (100 pin)	687-152-02	#4-40 (100 pin)	687-439-15	1.40 (35.6)	687-194-1	#4-40 (100 pin)
				687-439-21	1.52 (38.6)		
				687-439-25	1.58 (40.1)		
				687-439-31	1.64 (41.7)		
				687-439-37	1.68 (42.7)		
				687-439-51	1.71 (43.3)		
				687-439-100	1.81 (46.0)		



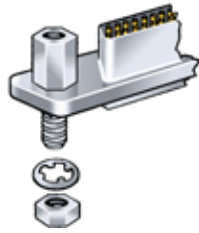
Stainless Steel Jackpost Kits

Standard Hex, Rear Panel or Rear Panel PCB

080-00-00-1XX, 500-069-X-X, 177-504-X-X and 177-505-X-X-X



Rear Panel Mount
Micro-D Jackpost



Micro-D Jackpost Kits feature 300 series stainless steel. Select a style: standard hex posts, rear panel, or rear panel printed circuit board.

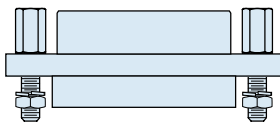
Order One Kit Per Connector. Each kit contains two jackposts.

JACKPOST GENERAL INFORMATION

- Material and Finish:** Corrosion resistant steel in accordance with ASTM A484 and ASTM A582, passivated in accordance with ASTM A967.
- Torque:** #2-56 threads = 2.5 inch-pounds, #4-40 threads = 4.0 inch-pounds. Maximum recommended torque for installation and operation.
- Standard Package:** One kit consists of two jackposts, 2 washers and 2 nuts for styles 1 and 2. Style 3 kits contain two jackposts. One kit per bag.
- Application:** Style 1 and 2 jackposts are compatible with any standard Micro-D connector. Style 3 jackposts for rear panel mounting Glenair printed circuit board connectors types BS, BR, and CBR only.

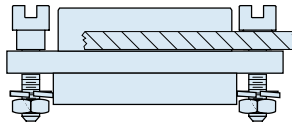
SELECT A JACKPOST STYLE

Style 1



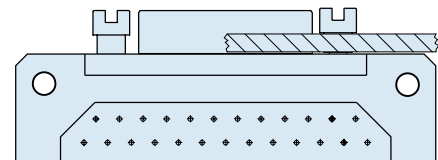
Use With Standard Solder Cup or Pigtail Micro-D Connectors

Style 2



Use With Rear Panel Mounted Solder Cup or Pigtail Micro-D Connectors

Style 3



Use With Rear Panel Mounted Printed Circuit Board Micro-D Connectors

STYLE 1 JACKPOST KITS

Style 1 Jackpost Kits are standard kits for installation on all standard Micro-D connectors. Each kit contains two jackposts, two hex nuts and two lockwashers.

Connector Sizes (THDS)	Mil Spec Part Number	Glenair Part Number	A Length		Figure
			In. ± .015	mm. ± 0.4	
9 — 69 M83513 sizes A thru G (#2-56)	M83513/05-07	080-00-00-100	.475	12.1	Figure 1
		500-069-2-1	.688	17.5	
		500-069-2-2	.813	20.7	
		500-069-2-3	.938	23.8	
		500-069-2-4	1.063	27.0	
	500-069-2-5	1.188	30.2		
100 M83513 size H (#4-40)	M83513/05-17	080-00-00-101	.475	12.1	Figure 2
		500-069-4-1	.680	17.3	
		500-069-4-2	.805	20.4	
		500-069-4-3	.930	23.6	
		500-069-4-4	1.055	26.8	
	500-069-4-5	1.180	30.3		

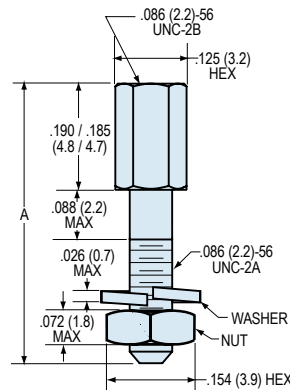


Figure 1
#2-56 Jackpost

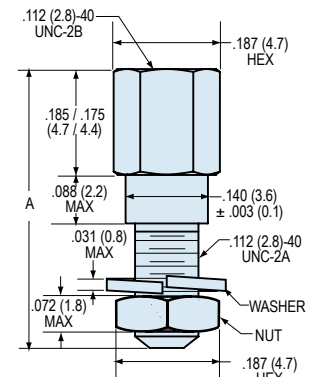


Figure 2
#4-40 Jackpost

Stainless Steel Jackpost Kits

Standard Hex, Rear Panel or Rear Panel PCB

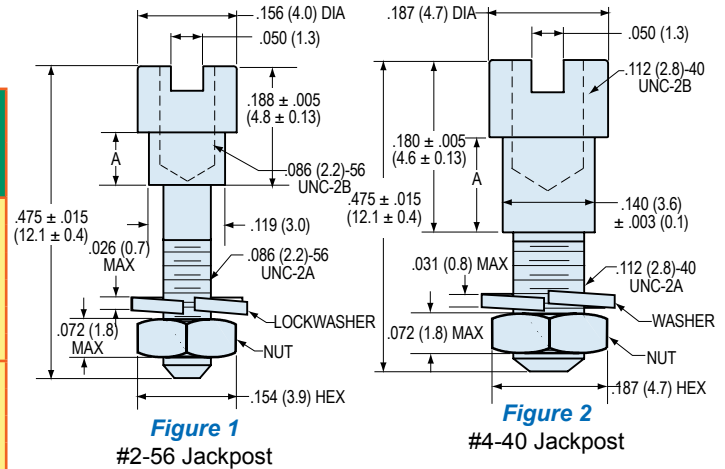
080-00-00-1XX, 500-069-X-X, 177-504-X-X and 177-505-X-X-X



STYLE 2 JACKPOST KITS FOR REAR MOUNTED CONNECTORS

Style 2 Jackpost Kits are for rear panel mounted connectors. These round, slotted posts accommodate panel thickness from .031 inches (0.8 mm.) to .125 inches (3.2 mm.).

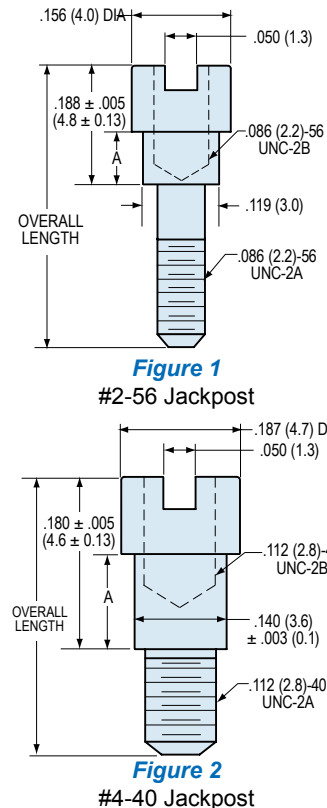
Connector Size (THDS)	Panel Thickness		Part Number	A		Figure
	In.	mm		In. ± .003	mm. ± 0.08	
9 — 69 M83513 sizes A thru G (#2-56)	.031	0.8	177-504-2-2	.024	0.61	Figure 1
	.047	1.2	177-504-2-3	.041	1.04	
	.062	1.6	177-504-2-4	.055	1.40	
	.094	2.4	177-504-2-5	.086	2.18	
	.125	3.2	177-504-2-6	.118	3.00	
100 M83513 size H (#4-40)	.031	0.8	177-504-4-2	.024	0.61	Figure 2
	.047	1.2	177-504-4-3	.041	1.04	
	.062	1.6	177-504-4-4	.055	1.40	
	.094	2.4	177-504-4-5	.086	2.18	
	.125	3.2	177-504-4-6	.118	3.00	



STYLE 3 JACKPOST KITS FOR PRINTED CIRCUIT BOARD CONNECTORS

Style 3 Jackpost Kits are for rear panel mounted PCB connectors. Select the right post by choosing the connector style (BS, BR and CBR are the three standard PCB connector configurations).

Connector Size (THDS)	Connector Style, Overall Length	Panel Thickness		Part Number	A		Figure
		In.	mm.		In. ± .003	mm. ± 0.08	
9 — 69 M83513 sizes A thru G (#2-56)	BS, CBR OAL	.031	0.8	177-505-A-2-2	.024	0.61	Figure 1
		.047	1.2	177-505-A-2-3	.041	1.04	
		.062	1.6	177-505-A-2-4	.055	1.40	
	BR OAL	.094	2.4	177-505-A-2-5	.086	2.18	
		.125	3.2	177-505-A-2-6	.118	3.00	
		.031	0.8	177-505-B-2-2	.024	0.61	
100 M83513 size H (#4-40)	BR, CBR OAL	.047	1.2	177-505-B-2-3	.041	1.04	Figure 2
		.062	1.6	177-505-B-2-4	.055	1.40	
		.094	2.4	177-505-B-2-5	.086	2.18	
	BS OAL	.125	3.2	177-505-B-2-6	.118	3.00	
		.031	0.8	177-505-C-4-2	.024	0.61	
		.047	1.2	177-505-C-4-3	.041	1.04	
OAL	.062	1.6	177-505-C-4-4	.055	1.40		
	.094	2.4	177-505-C-4-5	.086	2.18		
	.125	3.2	177-505-C-4-6	.118	3.00		
	.031	0.8	177-505-D-4-2	.024	0.61		
OAL	.047	1.2	177-505-D-4-3	.041	1.04		
	.062	1.6	177-505-D-4-4	.055	1.40		
	.094	2.4	177-505-D-4-5	.086	2.18		
	.125	3.2	177-505-D-4-6	.118	3.00		



For CBS Style Circuit Board Connectors—See Catalog Page C-16

Reliability!

You Can Depend on Glenair Circular and Micro Edgeboard Connectors.

In Stock and Ready for Action!



1211 Air Way

Glendale, California 91201-2497

Telephone: 818-247-6000 · Facsimile: 818-500-9912 · E-mail: sales@glenair.com

United States · United Kingdom · Germany · Nordic · France · Italy · Spain · Japan

www.glenair.com