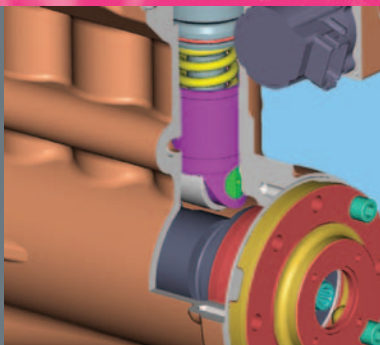
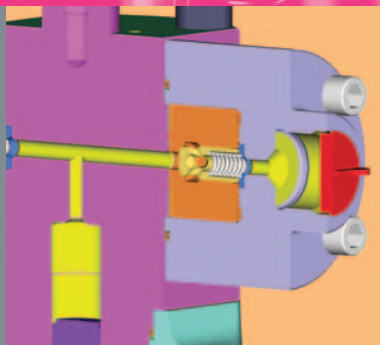


# fuel injection solutions

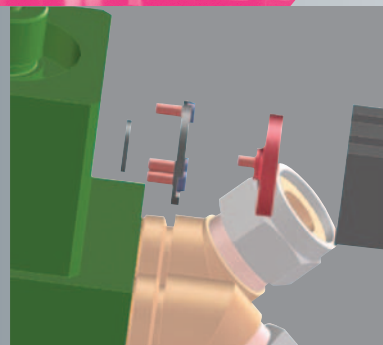
technology review



single pump common rail

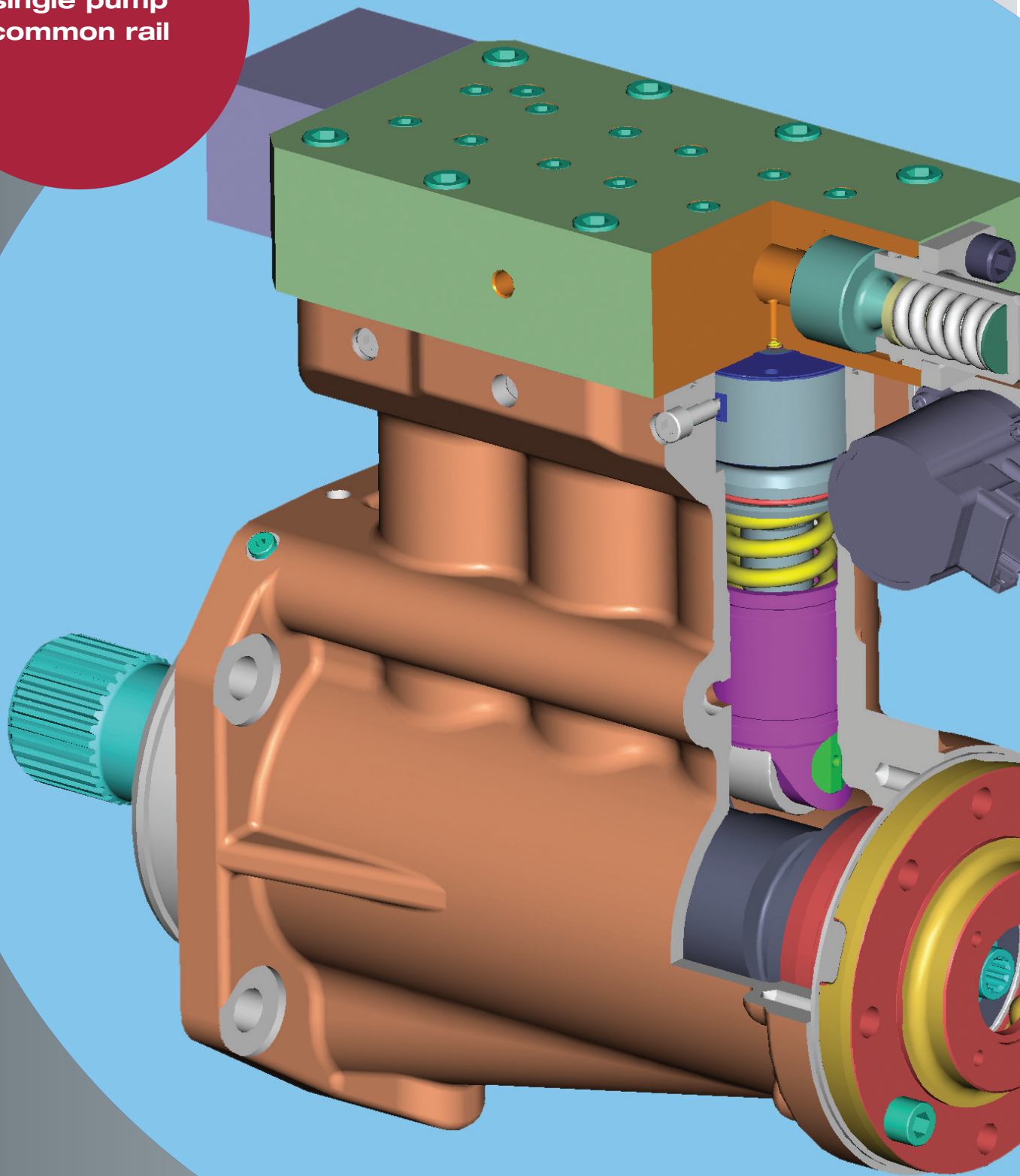


multiple pump common rail



EDIS

single pump  
common rail







- Full authority on engine electronic fuel injection control platform.

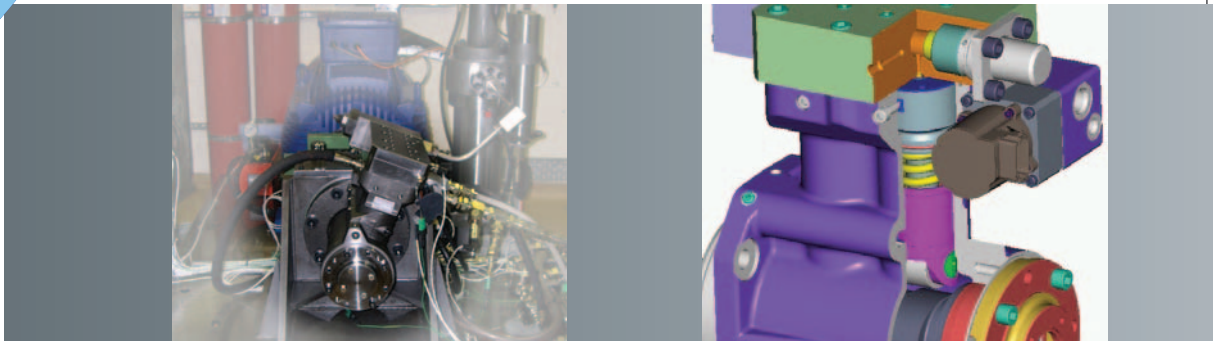
## Characteristics

- High pressure, multi cylinder, multi lobe common rail pump.
- Electronic control of pump fuel flow.
- Woodward Flow Control Valve.
- Integrated safety pressure valve.

## Operational Conditions

### Summary

<b>Pump Flow Rate:</b>	up to 40 l/min (four cylinder pump)
<b>Fuel Pressure:</b>	1800 bar
<b>Pump Speed:</b>	up to 3500 RPM
<b>Engine Bore Diameter:</b>	up to 320 mm
<b>Main Application:</b>	Marine, Power, Machinery







- Full authority on engine electronic fuel injection control platform.

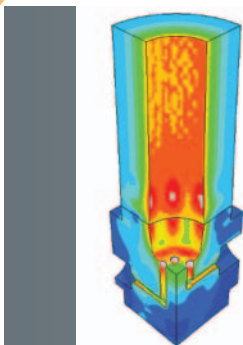
## Characteristics

- High performance systems consisting of distributed pumps, accumulators and injectors for heavy fuel applications on medium speed engines.
- High pressure common rail system provides low smoke, low emissions and high efficiency using Heavy Fuel Oil.
- Electronic control of accumulator "rail" pressure and injection.

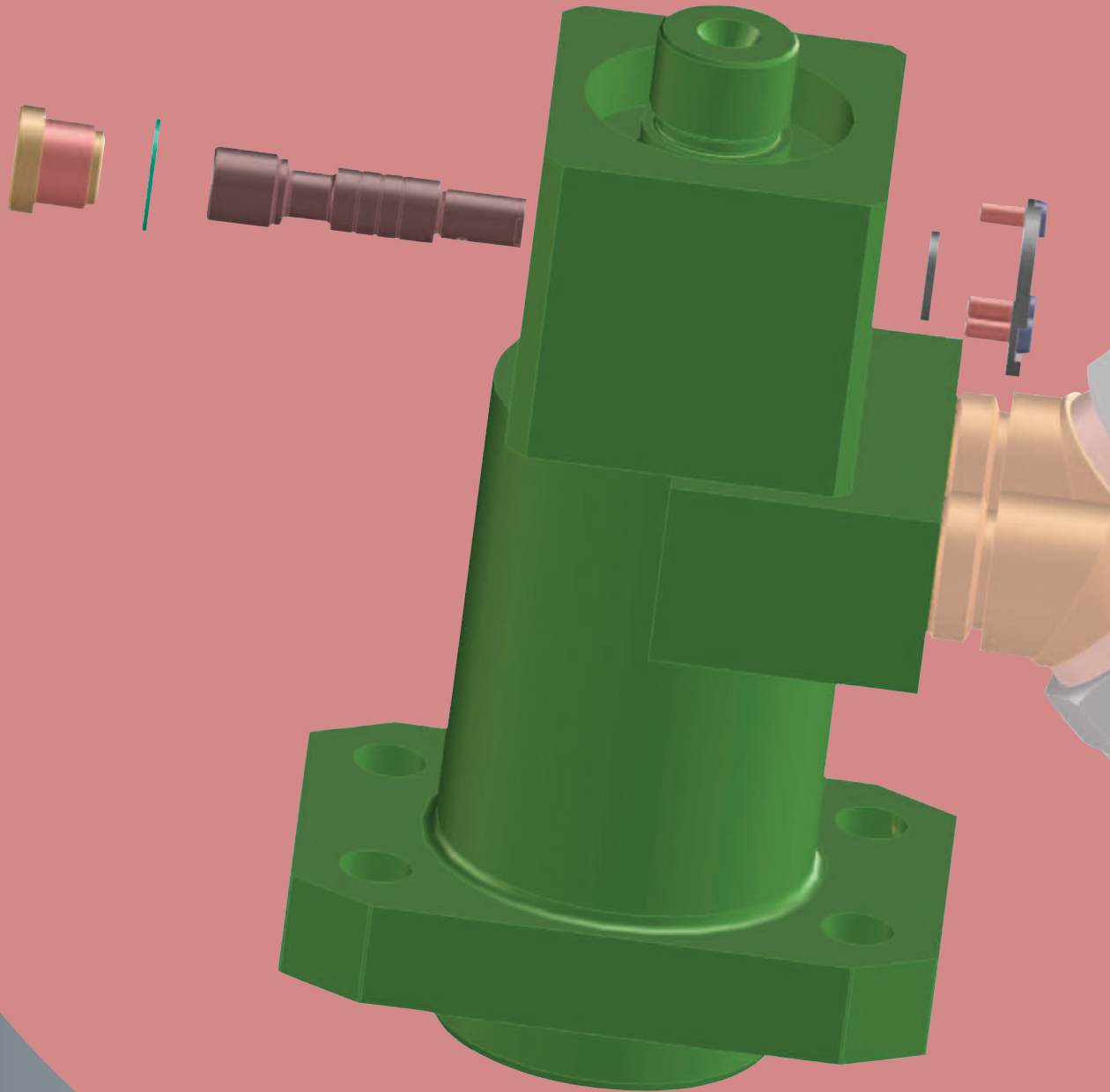
## Operational Conditions

Summary

<b>Fuel Delivery:</b>	up to 25000 mm <sup>3</sup> /stroke
<b>Fuel Pressure:</b>	1500 bar (operational) 2000 bar (maximum)
<b>Engine Speed:</b>	up to 1000 RPM
<b>Engine Bore Diameter:</b>	300 to 460 mm
<b>Power per Cylinder:</b>	up to 1400 kW
<b>Fuels:</b>	HFO and Marine Diesel
<b>Main Application:</b>	Marine, (Power)



**EDIS**

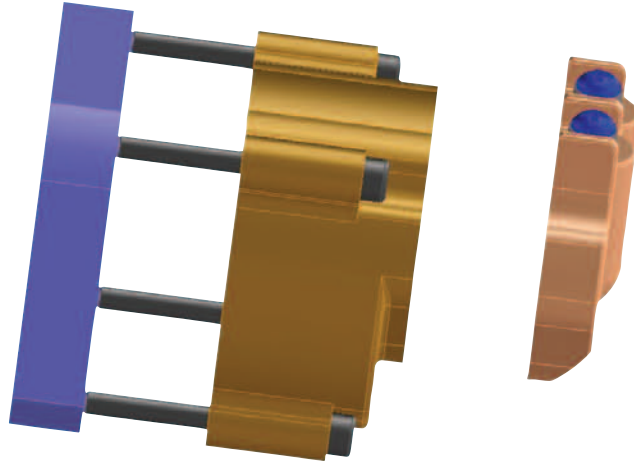


- Full authority on engine electronic fuel injection control platform.



## Characteristics

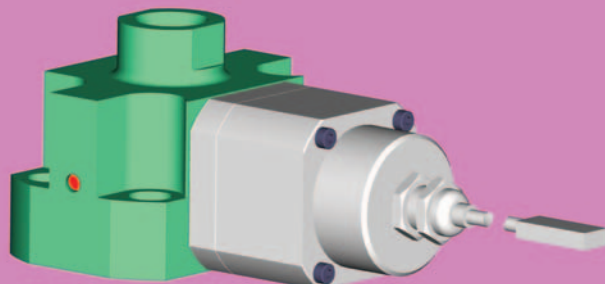
- High performance fuel injection products for a wide range of medium to large engine applications.
- The fuel system includes the pump, pipe (double wall) and injector.
- Both unit injector and pump systems.



## Operational Conditions

### Summary

<b>Fuel Delivery:</b>	500 to 12500 mm <sup>3</sup> /stroke
<b>Fuel Pressure:</b>	up to 1800 bar
<b>Engine Speed:</b>	up to 1800 RPM
<b>Engine Bore Diameter:</b>	up to 430 mm
<b>Power per Cylinder:</b>	up to 1000 kW
<b>Fuels:</b>	HFO and diesel oil
<b>Main Application:</b>	Marine, Power, Rail







Woodward Diesel Systems  
Hatherley Lane  
Cheltenham  
Gloucestershire  
GL51 0EU

Tel: +44 (0) 1242 277000  
Fax: +44 (0) 1242 277277



Woodward Governor  
Germany GmbH  
Kothener Chaussee 46  
D-06385  
Aken/Elbe  
Germany

Tel: +49 (0) 34909 88000  
Fax: +49 (0) 34909 82049

Two dedicated production and development facilities in Europe.  
Cheltenham, UK, covering 31,000 sq.m and Aken, Germany 32,000sq.m.